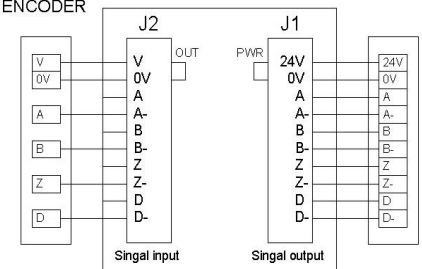
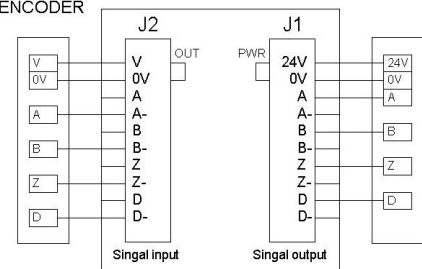
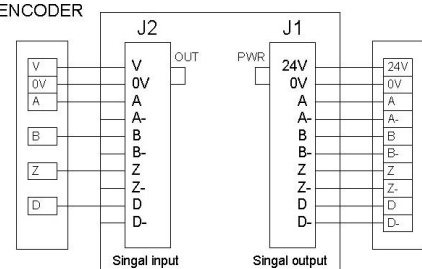
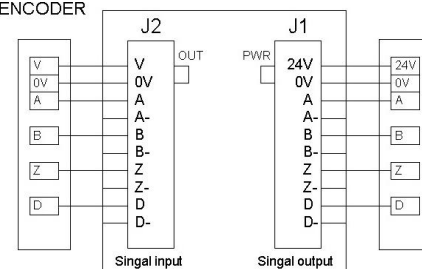
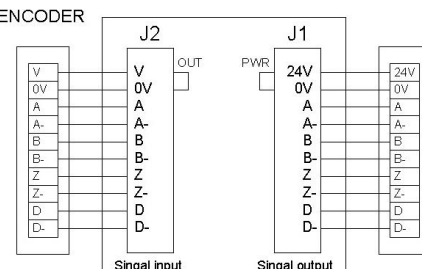
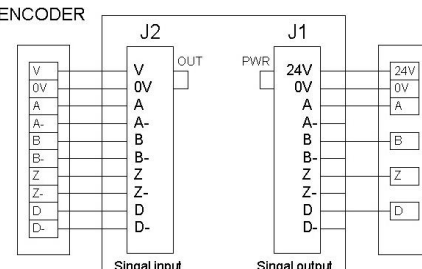


Singal Output (Driver Side) Singal Input (Encoder/Sensor Side)	Line Driver	Push Pull NPN Open Collector
NPN Open Collector	 <p>ENCODER</p> <p>J2</p> <p>J1</p> <p>Singal input</p> <p>Singal output</p> <p>PCA-A-□C-□L □H</p>	 <p>ENCODER</p> <p>J2</p> <p>J1</p> <p>Singal input</p> <p>Singal output</p> <p>PCA-A-□C-□P □C</p>
Push Pull	 <p>ENCODER</p> <p>J2</p> <p>J1</p> <p>Singal input</p> <p>Singal output</p> <p>PCA-A-□P-□L □H</p>	 <p>ENCODER</p> <p>J2</p> <p>J1</p> <p>Singal input</p> <p>Singal output</p> <p>PCA-A-□P-□P □C</p>
Line Driver	 <p>ENCODER</p> <p>J2</p> <p>J1</p> <p>Singal input</p> <p>Singal output</p> <p>PCA-A-□L-□L □H</p>	 <p>ENCODER</p> <p>J2</p> <p>J1</p> <p>Singal input</p> <p>Singal output</p> <p>PCA-A-□L-□P □C</p>